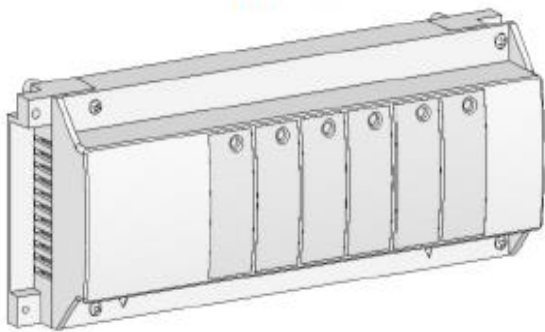


Technical Product Information

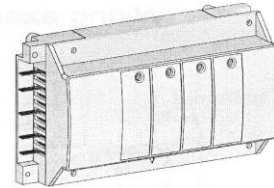
Master PL Wiring Module Slave SB Wiring Module

Article no. 12612

Article no. 12611



III. 1: Master Wiring Module, 6 zones, 230 V



III. 2: Slave Wiring Module

Master PL Wiring Module (article no. 12612):

Scope of application

Provides for time-saving connection of thermoelectric actuators and room thermostats of WEM radiant wall heating systems.

The generous spacing of the terminals allows a quick and easy connection. The symbols on the individual terminals help to prevent wiring errors.

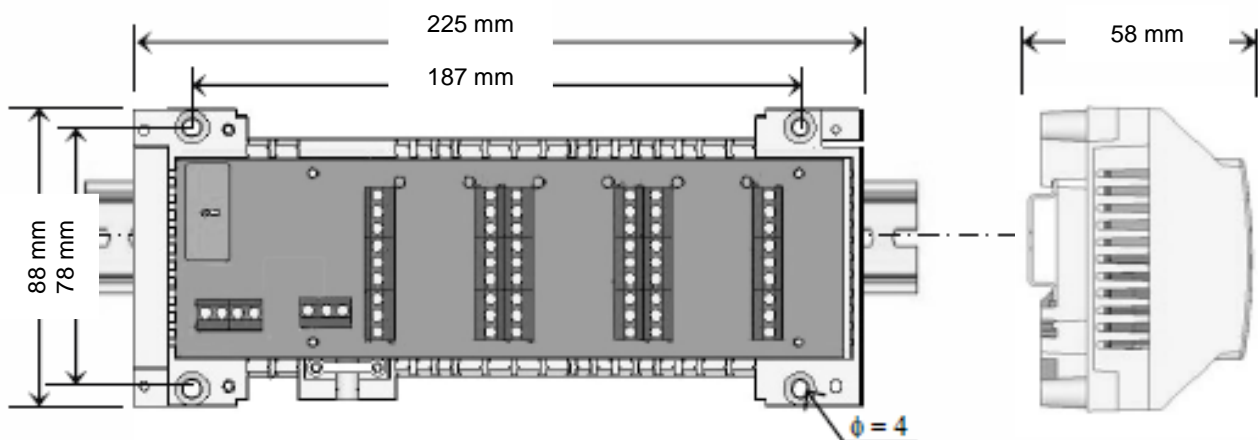
Thanks to the modular design, multiple wiring modules can be combined via pluggable connections.

Function The Master PL is a wiring module with integrated pump control logic. It provides for the easy and simple wiring of room thermostats to the associated actuators in the manifold cabinet. The module offers all connections required for the wall heating system. You can link six room thermostats maximum to the associated actuators. LEDs indicate the operational status. The terminals A and B can be used to control the thermostats with an external timer. If heat is needed in a zone, a relay (pump control logic) with two zero-potential contacts is triggered (pump, boiler or similar connected equipment). The module can be fitted either to the wall or on a DIN rail.

Technical data
Master PL

Operating voltage:	230 V, 50 Hz +/- 10%
Operating temperature:	0 to 50 °C
Number of zones:	6 (max. 4 actuators/zone)
Max. number of actuators:	24 x 230 V
Switchable output for circulation pump:	2 x relay, zero-potential, 8 A max.
Protection:	Protection II IP 30
Dimensions (L x W x D):	88 x 225 x 58 mm
Colour:	RAL 9010

Dimensions (height/length):



Slave SB Wiring Module (article no. 12611):

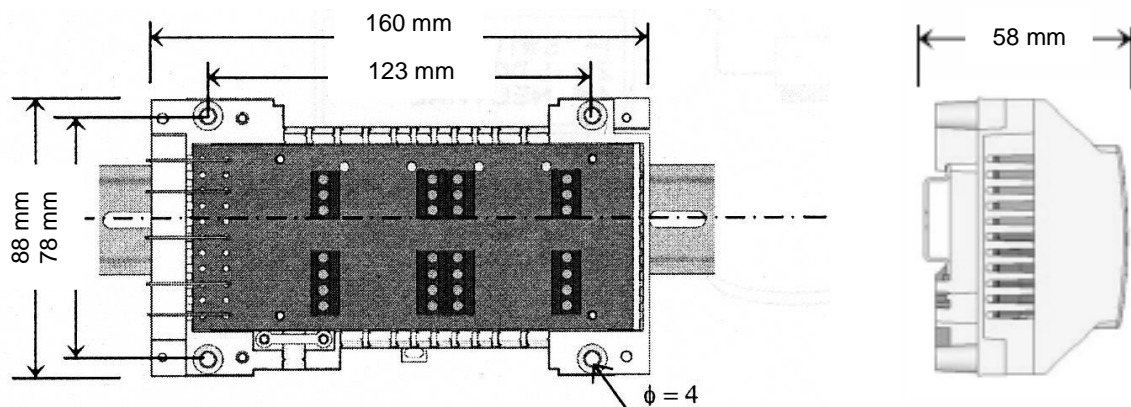
Function The SB Module is an extension module for the wiring of room thermostats and actuators. The four-zone SB Module provides extension options for the Master PL module. You can connect a room thermostat and four actuators maximum to the slave module. The exact number of connectable actuators depends on the total power demand of the modules (see technical data). LEDs indicate the operational status. The module can be fitted either to the wall surface or on a DIN rail.

Technical data

Slave SB

Operating voltage:	230 V, 50 Hz +/- 10 %
Operating temperature:	0 to 50 °C
Number of zones:	4 (max. 4 actuators/zone)
Max. number of actuators (1 Master + SB):	24 x 230 V + 16 x 230 V
Timer control cable:	None
Protection:	Protection II IP 30
Dimensions (L x W x D):	88 x 160 x 58 mm
Colour:	RAL 9010

Dimensions (height/length):



Wiring module for one Master PL and one Slave SB:

