

Technical Product Information

Motorized Actuator

Article no. 12503



Scope of application

Motorized thermoelectric actuators in normally-closed mode (NC). The actuators open and close the valves on the WEM Heating Manifold. They are activated by the WEM Room Thermostats and provide for individual temperature control in line with the heat demand.

Benefits

- Precise-fitting bayonet connector for easy assembly
- Suitable for overhead installation (360°)
- Fully encapsulated electrical components
- Moulded seal protects the motor in case of leaking valves
- Valve position is visible
- Noiseless and maintenance-free
- Long service life due to a stroke length of 4 mm minimum
- Suitable for use with WEM Room Thermostats and Heating Manifolds

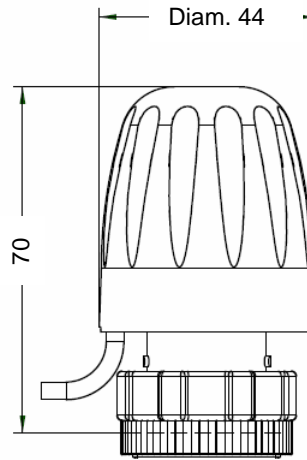
Mode of operation

If the indoor temperature falls below the desired temperature, the thermostat transmits a signal to the motorized actuator. Inside the actuator, an electrical resistor heats the expansion element, which transmits a stroke motion to the valve. The operation of the controller and the actuator is based on the "OPEN/CLOSE" principle. In idle condition, the valve is closed.

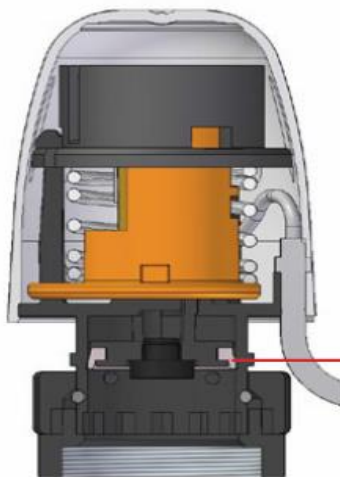
Technical data/
materials

Material of enclosure and built-in components:	heat-fast and impact-resistant plastic material
Material of spring:	stainless steel
Material of cable:	silicone
Connecting thread:	M30 x 1.5
Mode (NC):	normally closed
Rated voltage (d.c. or a.c.)	24 V or 230 V
Operating power:	1.8 W
Permissible voltage deviation:	± 1 %
Incrush current:	24 V: 0.2 A for 1 min max. 230 V: 0.6 A for 100 ms max.
Recommended fuse protection:	0.35 A slow, as per DIN 41662
Permanent power (approx. 3 min.):	4 W
Opening time:	approx. 3 min
Closing time:	approx. 9 min
Nominal stroke:	4 mm
Nominal closing force:	100 N
Ambient temperature:	0 to 50 °C
Cable length:	1 m
Connecting cable:	2 x 0.75 mm ² , PVC
VDE-tested and CE compliant	
Protection:	Drive IP44/ electrical components IP65
Protection class II	

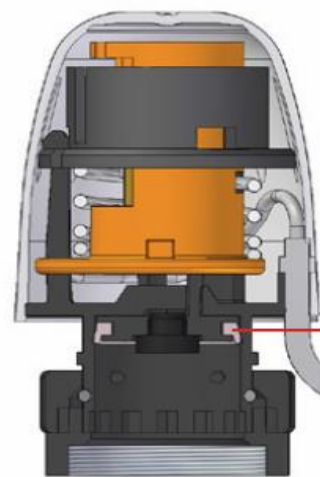
Dimensions:



Valve closed (idle)



Valve open (live)



Bayonet connector

Bayonet connector with four large interlocking faces between the bayonet sleeve and the bayonet nut.

- 1 Bayonet sleeve
- 2 Bayonet nut
- 3 Large contact surface
- 4 Turn until click sound is heard

